
Features

Hardware

- Supports Programming of all AT17LV, AT17N, and AT17F Series Devices
- Connection to Allow In-System Programming (ISP)
- Runs off Portable 9V DC Power Supply
- 5.0V and 3.3V Supply

Software

- CPS – Configurator Programming System
- GUI-based Interface
- Supports Windows® 98/2000/XP and Windows NT®
- Online Help
- Supports Programming Reset Polarity
- Verification Routines to Validate Programming
- Accepts HEX, MCS, POF, RBF and BST File Formats

System Contents

- ATDH2200 Programming Board
- ATDH2222 20-pin PLCC Adapter
- ATDH2200E Datasheet
- ATDH2200E Programming Kit User Guide
- Standard (PC Printer Port) Parallel Cable
- 10-pin Ribbon Cable for ISP
- 9V DC, 500 mA, 2.1 mm Center Positive/Negative Power Supply (for US customers only)
- Sample AT17LV Devices

Description

The ATDH2200E allows designers to quickly and economically program Atmel's family of AT17 series FPGA Configuration Memories. The system also provides support for new devices in the AT17 series Configurator prior to Third Party Programmer support being available. This is a truly portable solution that allows engineers to work from their lab bench or office.



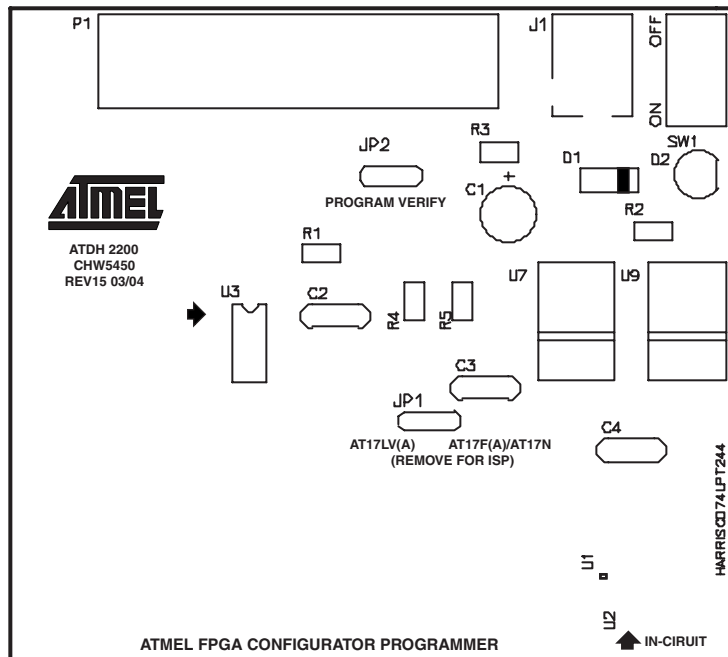
FPGA Configurator Programming Kit (Enhanced)

ATDH2200E

Rev. 0642F–CNFG–9/04

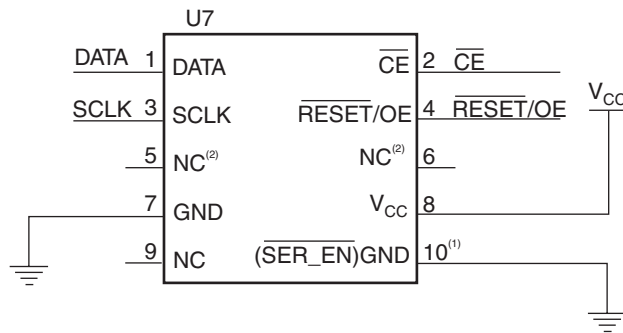


Figure 1. ATDH2200E Configurator Programming Board



In-System Programming Connector

Figure 2. In-System Programming Header



- Notes:
1. Pin 10 activates $\overline{\text{SER_EN}}$ on target board.
 2. NC stands for no connection.

The ATDH2200E programming board has a 10 pin header (0.1" spacing) to facilitate in-system programming (Figure 2) of the AT17 parts. The control signals generated by the software are fed to the header, as well as to socket U3 on the board. By placing a similar socket on the target system and connecting the programming board to that target system, the programming algorithms written by Atmel can be used to program an AT17 device in-system.

Related Documents

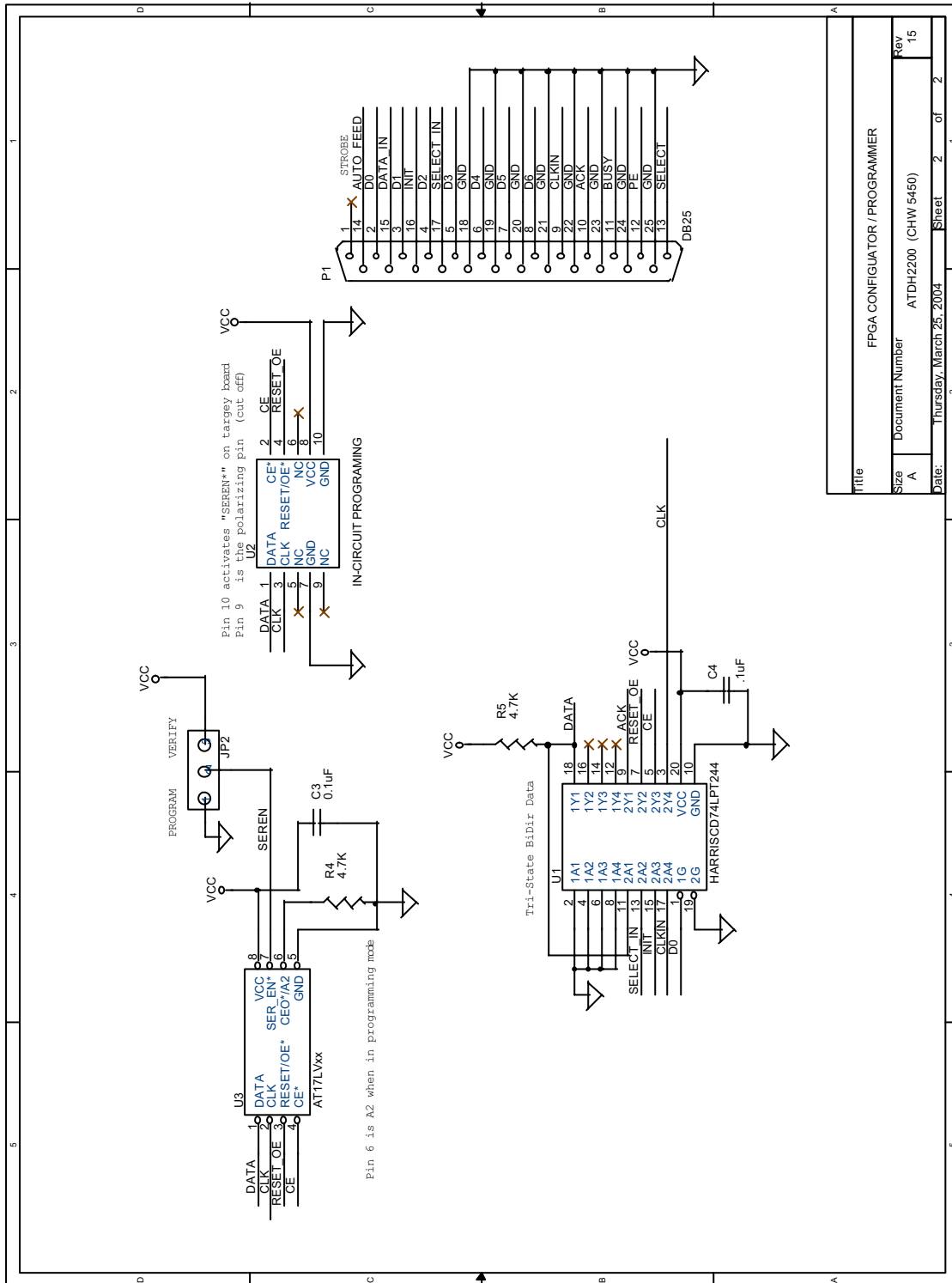
- ATDH2200E Programming Kit User Guide
- AT17 Series datasheet
- Programming Specification for Atmel's FPGA Configuration memories
- In-System Programming Cascaded Configurators
- AT17A Series datasheet

Adapters Available for the ATDH2200E

- ATDH2222 – 20-lead PLCC adapter (supplied with kit)
- ATDH2221 – 20-lead SOIC adapter
- ATDH2223 – 8-lead SOIC adapter
- ATDH2224 – 44-lead TQFP
- ATDH2226 – 32-lead TQFP
- ATDH2227 – 44-lead PLCC (non-A parts only)
- ATDH2227A – 44-lead PLCC (A parts only)
- ATDH2228 – 8-lead LAP

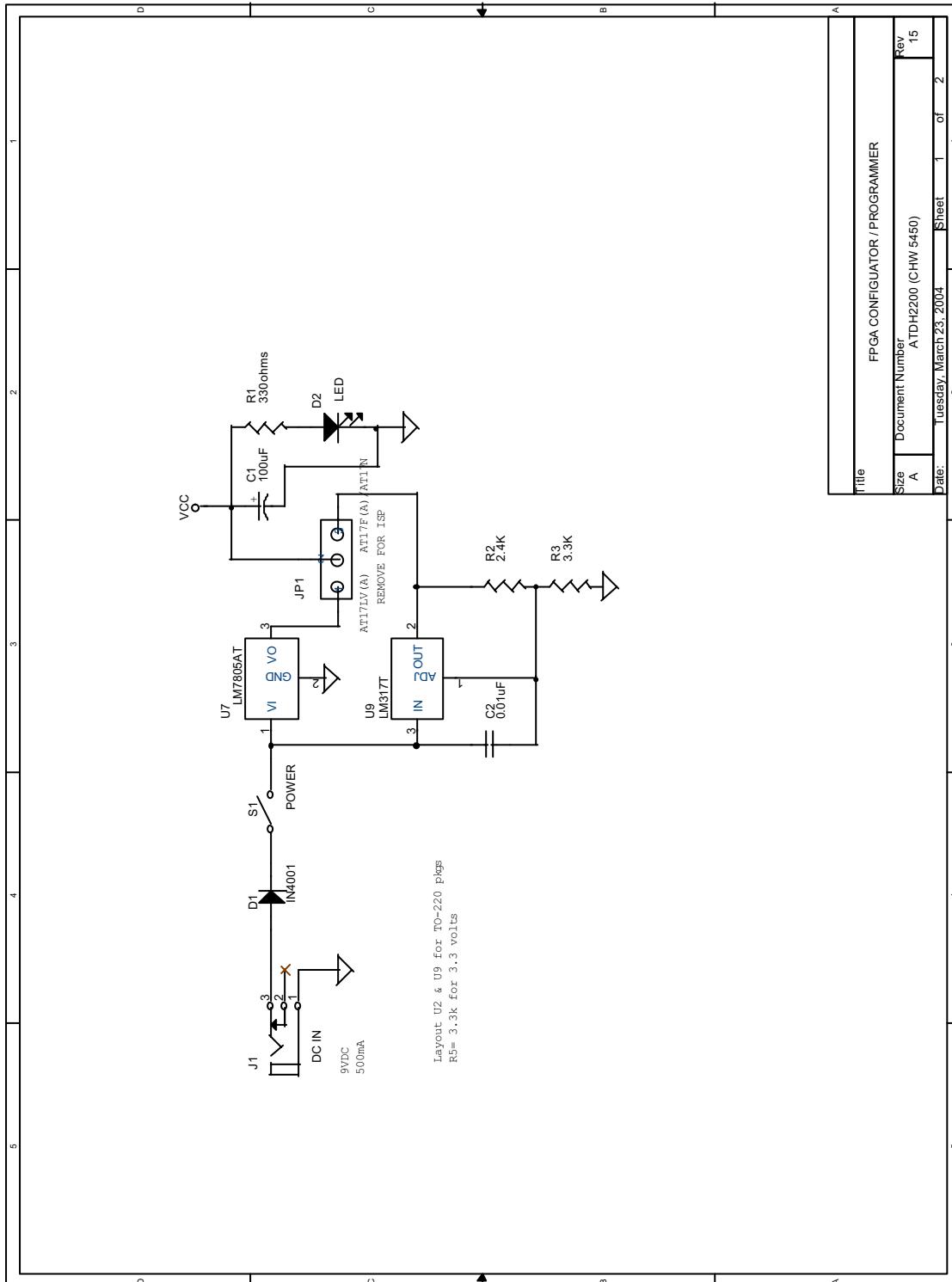
Schematics

Programming Connections



Title		FPGA CONFIGURATOR / PROGRAMMER	
Size	A	Document Number	ATDH2200 (CHW 5450)
Rev	15	Date:	Thursday, March 25, 2004
Sheet 2		of 2	

Power Supply Generation





Atmel Corporation

2325 Orchard Parkway
San Jose, CA 95131, USA
Tel: 1(408) 441-0311
Fax: 1(408) 487-2600

Regional Headquarters

Europe

Atmel Sarl
Route des Arsenalux 41
Case Postale 80
CH-1705 Fribourg
Switzerland
Tel: (41) 26-426-5555
Fax: (41) 26-426-5500

Asia

Room 1219
Chinachem Golden Plaza
77 Mody Road Tsimshatsui
East Kowloon
Hong Kong
Tel: (852) 2721-9778
Fax: (852) 2722-1369

Japan

9F, Tonetsu Shinkawa Bldg.
1-24-8 Shinkawa
Chuo-ku, Tokyo 104-0033
Japan
Tel: (81) 3-3523-3551
Fax: (81) 3-3523-7581

Atmel Operations

Memory

2325 Orchard Parkway
San Jose, CA 95131, USA
Tel: 1(408) 441-0311
Fax: 1(408) 436-4314

Microcontrollers

2325 Orchard Parkway
San Jose, CA 95131, USA
Tel: 1(408) 441-0311
Fax: 1(408) 436-4314

La Chantrerie
BP 70602
44306 Nantes Cedex 3, France
Tel: (33) 2-40-18-18-18
Fax: (33) 2-40-18-19-60

ASIC/ASSP/Smart Cards

Zone Industrielle
13106 Rousset Cedex, France
Tel: (33) 4-42-53-60-00
Fax: (33) 4-42-53-60-01

1150 East Cheyenne Mtn. Blvd.
Colorado Springs, CO 80906, USA
Tel: 1(719) 576-3300
Fax: 1(719) 540-1759

Scottish Enterprise Technology Park
Maxwell Building
East Kilbride G75 0QR, Scotland
Tel: (44) 1355-803-000
Fax: (44) 1355-242-743

RF/Automotive

Theresienstrasse 2
Postfach 3535
74025 Heilbronn, Germany
Tel: (49) 71-31-67-0
Fax: (49) 71-31-67-2340

1150 East Cheyenne Mtn. Blvd.
Colorado Springs, CO 80906, USA
Tel: 1(719) 576-3300
Fax: 1(719) 540-1759

Biometrics/Imaging/Hi-Rel MPU/ High Speed Converters/RF Datacom

Avenue de Rochepleine
BP 123
38521 Saint-Egreve Cedex, France
Tel: (33) 4-76-58-30-00
Fax: (33) 4-76-58-34-80

Literature Requests

www.atmel.com/literature

Disclaimer: Atmel Corporation makes no warranty for the use of its products, other than those expressly contained in the Company's standard warranty which is detailed in Atmel's Terms and Conditions located on the Company's web site. The Company assumes no responsibility for any errors which may appear in this document, reserves the right to change devices or specifications detailed herein at any time without notice, and does not make any commitment to update the information contained herein. No licenses to patents or other intellectual property of Atmel are granted by the Company in connection with the sale of Atmel products, expressly or by implication. Atmel's products are not authorized for use as critical components in life support devices or systems.

© Atmel Corporation 2004. All rights reserved. Atmel® and combinations thereof, are the registered trademarks of Atmel Corporation or its subsidiaries. Microsoft®, Windows® and Windows NT® are the registered trademarks of Microsoft Corporation. Other terms and product names may be the trademarks of others.



Printed on recycled paper.